

GE Healthcare



Uroview FD

Digital Imaging Suite for Urology
Technical Data



Authorized Distributor
GE Healthcare

GE OEC is an authorized distributor of Uroview FD which is manufactured by PAUSCH Medical GmbH, Germany

Specifications

Clinical Features

- 17" x 17" (43cm x 43cm) Field of View
- Digital Dynamic Imaging Flat Panel
- Pulsed and radiographic modes
- Intuitive tableside controls for surgeon
- Patient access from all sides of the table
- Low table height (25.2") for patient transfer
- Designed for HCP seated position
- Dual 24" monitors
- Video input for scopes
- Separate foot controls
- Option of Left or Right system configuration
- Water resistant foot and hand controls
- User selectable patient size for optimized technique
- Active ionizing chamber selection
- SID: 45.3" (115.1cm)

Urological Table

- Cantilevered design, left-hand or right-hand configurations
- All electric, motor-driven table movements
- Table motion range
 - Elevate: 25.2" – 45.7" (64 – 116cm)
 - Trendelenburg: 20°
 - Reverse Trendelenburg: 88°
 - Table top lateral travel: 5.6" (14.2cm)
 - Table top longitudinal travel: 18.8" (47.8cm)
 - Gantry motorized movement: 8" (20.3cm)
- Patient weight limit: 627 lbs. (285 kg)
- Table top size: 47.2" x 29.9" (120 x 76cm)
 - 78" (198 cm) long with extension
- Three position programmable table position memory with save/recall
- Corrosion resistant surfaces
- Hinged table for easy access and cleaning
- Accessories include:
 - Collapsible drain bag system
 - Elbow supports with pads
 - 30" (76.2 cm) leg extension with pad
 - Arm support with pad
 - Table-top pad
 - UroShelf for ancillary equipment storage
 - Additional optional accessories are available

X-Ray System

Generator

- 65 kW generator
- Up to 125 kVp
- Up to 800 mA
- Up to 600 mAs max
- Remote control panel with digital display
- Fluoroscopy up to 5.0 mA (10R max)
- High level fluoroscopy up to 10 mA (20R max)
- Fluoroscopy, pulsed fluoroscopy, and radiography modes

X-Ray tube

- Rotating anode X-Ray tube
- Focal spots 0.6mm and 1.2mm
- Anode diameter: 4" (10cm)
- Anode Target angle 12°
- Anode heat capacity: 400,000 H.U.
- Anode cooling rate: 180,000 H.U./minute
- Housing heat capacity: 2,000,000 H.U.

Collimator

- Selectable circular and square collimator
- On-screen virtual collimator preview with no dose
- Six pairs of shutters

Filtration

- Minimum inherent filtration 2mm Al equivalent
- 0.3mm Al optional equivalent
- 1.0mm Al optional equivalent
- Additional variable filtration; automatic setting:
 - 1mm Al and 0.1mm copper
 - 1mm Al and 0.2mm copper

Fluoro Mode

- Focal spot: 0.6mm
- kVp range: 40-125
- mA range (normal mode): 0.5 – 10
- mA range (high level fluoro mode): 1.0 – 20
- Computer controlled auto mode
- Manual mode

Pulsed Fluoro Mode

- Focal spot: 0.6mm
- kVp range: 40 – 125
- mA range: 10 – 150
- Selectable pulse rate: up to 12 (50hz) or 15 (60hz) pulses per second
- Pulse width: 20 or 50 ms

High Level Pulsed Fluoro Mode

- Focal spot: 0.6mm and 1.2mm
- kVp range: 40-125
- mA range: 1-40
- Selectable pulse rate: up to 12 (50hz) or 15 (60hz) pulses per second
- Pulse width: 25 or 50 ms

Video Imaging System

- 17" x 17" (43 x 43cm) dynamic digital flat panel detector
- Max panel resolution: 2880 x 2880 pixels
- Pixel pitch: 148 x 148mm
- Analogue-digital conversion dynamic range: 16 bits
- Selectable X-Ray zoom modes:
 - 43 x 43cm
 - 30 x 30cm
 - 20 x 20cm
 - 15 x 15cm
- DQE: 66% (typical)
- Frame rate (continuous/pulsed): up to 20 fps max

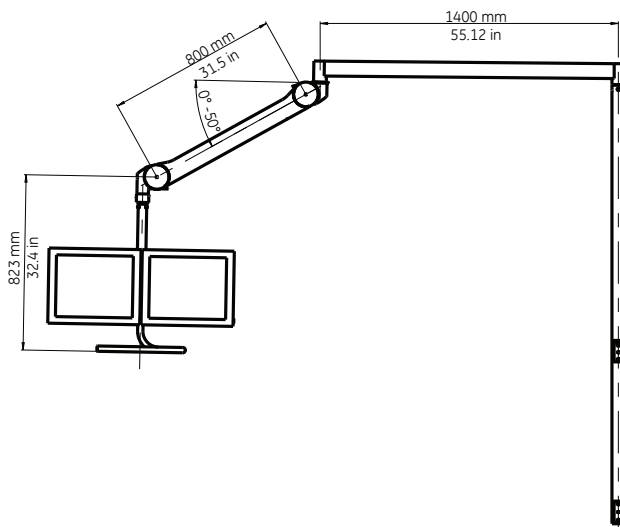
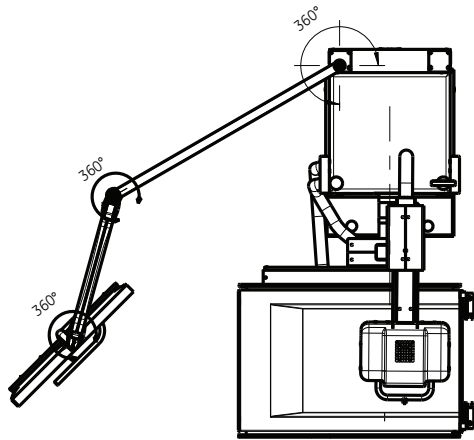
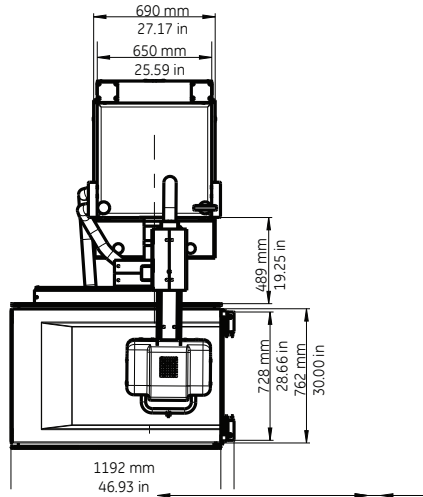
Video Monitors

- Dual 24" LCD displays mounted on flexible arm
- High brightness: 600 cd/m²
- Control station monitor: 19" TFT LCD IPS medical grade panel

Image Processing

- Up to 2880 x 2880 resolution
- 16 bit image processing
- Save and autosave feature
- Batch image recall
- Autoswap and autosave
- Selectable recursive filter weight
- User-defined post processing shutters and image enlargement
- Dynamic auto brightness and contrast
- Reverse image polarity
- Automatic image correction
- User defined edge enhancement
- Automatic acquired and displayed image harmonization
- Image annotation
- Patient Information
 - Customized patient information menu
 - DICOM worklist schedule
- X-Ray dose summary
- Entire image and lens zoom function
- Image overlay capability including text and privacy functions

Dimensions (cont.)



GE Healthcare,
Surgery – Americas
Phone: 801-328-9300
Fax: 801-328-4300

©2016 General Electric Company – All rights reserved.

General Electric Company reserves the right to discontinue selling the product. Contact your GE Representative for the most current information.

*GE, GE Monogram and OEC are trademarks of General Electric Company.

GE OEC Medical Systems, Inc., doing business as GE Healthcare.

Distributed by:
GE Healthcare
384 Wright Brothers Drive
Salt Lake City, UT 84116
USA

GE OEC is an authorized distributor of Uroview FD which is manufactured by PAUSCH Medical GmbH, Germany

www.gehealthcare.com



imagination at work

Authorized Distributor
GE Healthcare

JB39497US(1)